

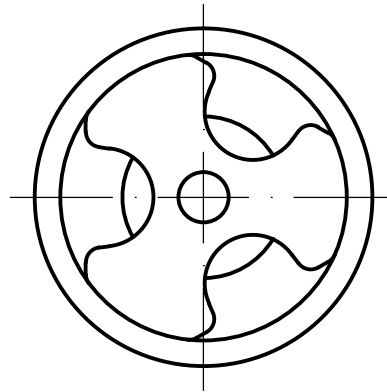
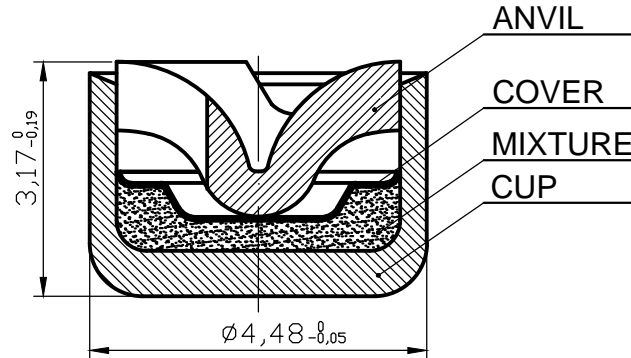


# UNIS "GINEX" d.d.



PRIMER 4,5/3-P3 for small rifle

EN ISO 9001:2015  
EN ISO 14001:2015  
EN ISO 45001:2018



DESIGNED FOR USE IN:		
.222 REM; 223 REM; .22-250 REM; .243 WIN		

TECHNICAL CHARACTERISTICS		
Position	Material identification	Dimensions
Cup	CuZn30	0,50 <sup>+0,02</sup> <sub>0</sub> mm
Anvil	CuZn30	0,91 <sup>0</sup> <sub>-0,03</sub> mm
Cover	Paper disc	0,10 <sup>0</sup> <sub>-0,02</sub> mm
Primer lacquers	Nitrolacquer red	-
Mixture	Non corrosive, without Hg	0,025 <sup>±0,002</sup> g

SENSITIVITY	
Ball weight	55 g
Upper statistical limit	$\bar{H} + 4S < 406,4\text{mm (16")}$
Lower statistical limit	$\bar{H} - 2S > 76,2\text{ mm (3")}$
Firing pin	Ø2mm; R1,28mm
Testing in cartridge case	8mm; .223 REM

PACKING
100pcs. of primers packed into a plastic tray with carton cover
50 pcs. of plastic trays packed into a carton box
10 carton boxes (50 000 pcs. of primers) packed into a special (carton or wooden) case

Tel: ++387 38 221 251, Fax: ++387 38 221 402, E-mail:ginexinfo@bih.net.ba  
Visegradska bb, 73 000 Gorazde, Bosnia & Herzegovina